

Age Range: 3 to 6 years  
 Weight Limit: 65 Lbs  
 Surfaces: Hard and grass  
 Speed: 2.5/5.0 mph Forward  
 2.5 mph Reverse  
 Colors: White and Green  
 Intro: 2002  
 Suggested Retail: \$249.00  
 Box Dimensions: 19.875 X 25.75 X 35.75  
 54 Lbs  
 Warranty: One Year Vehicle  
 6 Month Battery

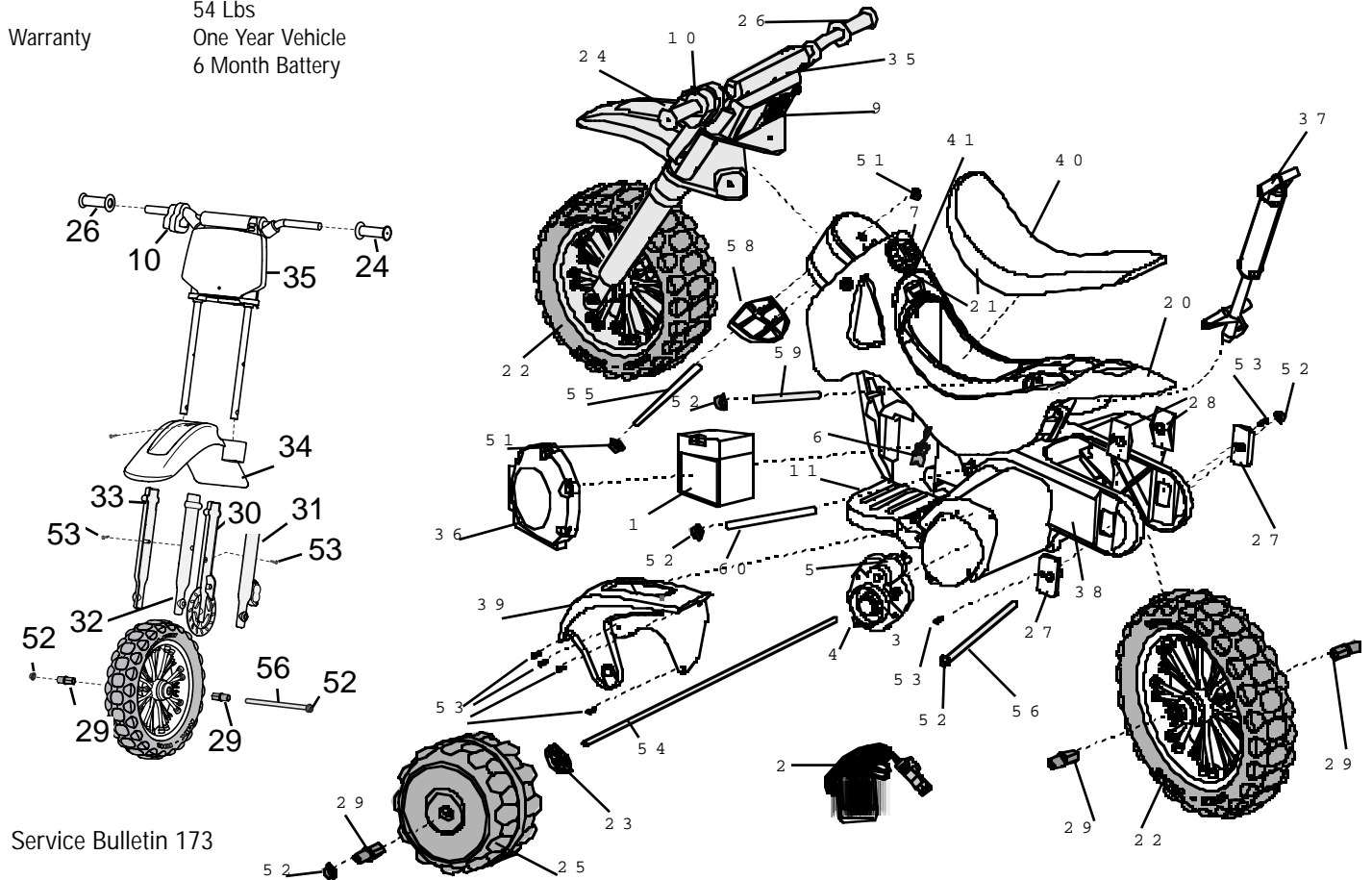


73600-9993

Dirt Bike

Advanced Series 12 Volt

Before 6/24/04



Service Bulletin 173

Item No.	Description	Part No.	Qty.	Item No.	Description	Part No.	Qty.	Item No.	Description	Part No.	Qty.
<b>Working / Electrical Parts</b>											
1	Battery	00801-0638	1	32	Right Inside Shock	N/A	73600-2669	1	<b>Parts Not Shown</b>		
2	Charger (Fused w/probe)	00801-0972	1	33	Right Outside Shock	N/A	73600-2679	1	Large Parts Bag	3800-6982	1
3	Motor Gearbox Assembly	00968-2901	2	34	Front Fender Assm w/Logo	3800-6794	1	Shock Parts Bag	3800-6960	1	
4	#7 Gearbox W/out Motor	00968-2801	2	35	Front Fork Assm.	3800-6958	1	Hardware Bag	73600-9279	1	
5	Motor Pinion Assembly	74290-9539	2	36	Battery Cover Assm.	3800-6953	1	Owner's Manual	73600-0920	1	
6	Main Harness Assembly	3800-6975	1	37	Mono Shock Assm.	3800-6959	1	Decal Sheet	73600-0310	1	
7	Control Switch F/R	00801-1198	1	38	Frame w/Battery Retainer	N/A	73600-9209	1	PC Board	74287-9729	1
9	Soundbox	73600-9549	1	39	Fender Set (Left and right)	3800-6796	1	Foot Switch (Plunger Type)	00801-0933	1	
10	Turbo Switch assembly	73600-9719	1	40	Seat	73600-2309	1	Right Footboard Assm.	3800-6957	1	
11	Left footboard Assm.	3800-6956	1	41	Gas Cap	73600-2149	1	Footboard Cover	73600-2249	1	
<b>Plastic / Other Parts</b>											
20	Body	N/A	73600-2409	1	<b>Hardware / Metal Parts</b>						
21	Seat with Gas Cap	N/A	3800-6961	1	51	.354 Retainer Black	0801-0604	3			
22	Wheel, Large	73600-9159	2	52	.437 Cap nut Black	0801-0226	11				
23	Driver	73233-2239	2	53	Screw #8 x 3/4"	0912-8001	14				
24	Hand Grip, Left	74290-2399	1	54	Drive Axle (L - 32.55 inches)	73600-4509	1				
25	Wheel Drive	73600-2269	2	55	Fork Axle (L - 8 inches)	73600-4559	1				
26	Hand Grip, Right	73600-2839	1	56	Rear (L - 8.95 inches)/Front Axle (L 8.95 inches)	73600-4549	2				
27	Axle retainer outside	73600-2379	2	58	Steering Stop	73600-2659	1				
28	Axle retainer inside	73600-2059	2	59	Upper Rod (L - 5 Inches)	73600-4529	1				
29	Hex Bushing with extension	73600-2459	6	60	Lower Rod (L - 8.95 inches)	73600-4519	1				
30	Left Inside Shock	N/A	73600-2629	1	61	Screw #10 x 1/2	0801-0255	2			
31	Left Outside Shock	N/A	73600-2639	1							

N/A = Not Available

Rev. 12/21/04

**Bold and Underlined parts are to be purchased and installed by Service Centers only. These items may not be sold directly to consumers by Service Centers or Fisher-Price.**

Age Range: 3  
 and up  
 Weight Limit: 65 lbs.  
 Surfaces: Hard  
 Surfaces & Grass  
 Speed: 2.5 For/Rev  
 5.0 Rev  
 Colors: Green Body/Purple  
 Seat/Black Wheels  
 Intro: 2004  
 Suggested Retail: 199.99  
 Box Dimensions:  
 19.875 x 25.750 x 35.750  
 54 lbs.



73600-9997

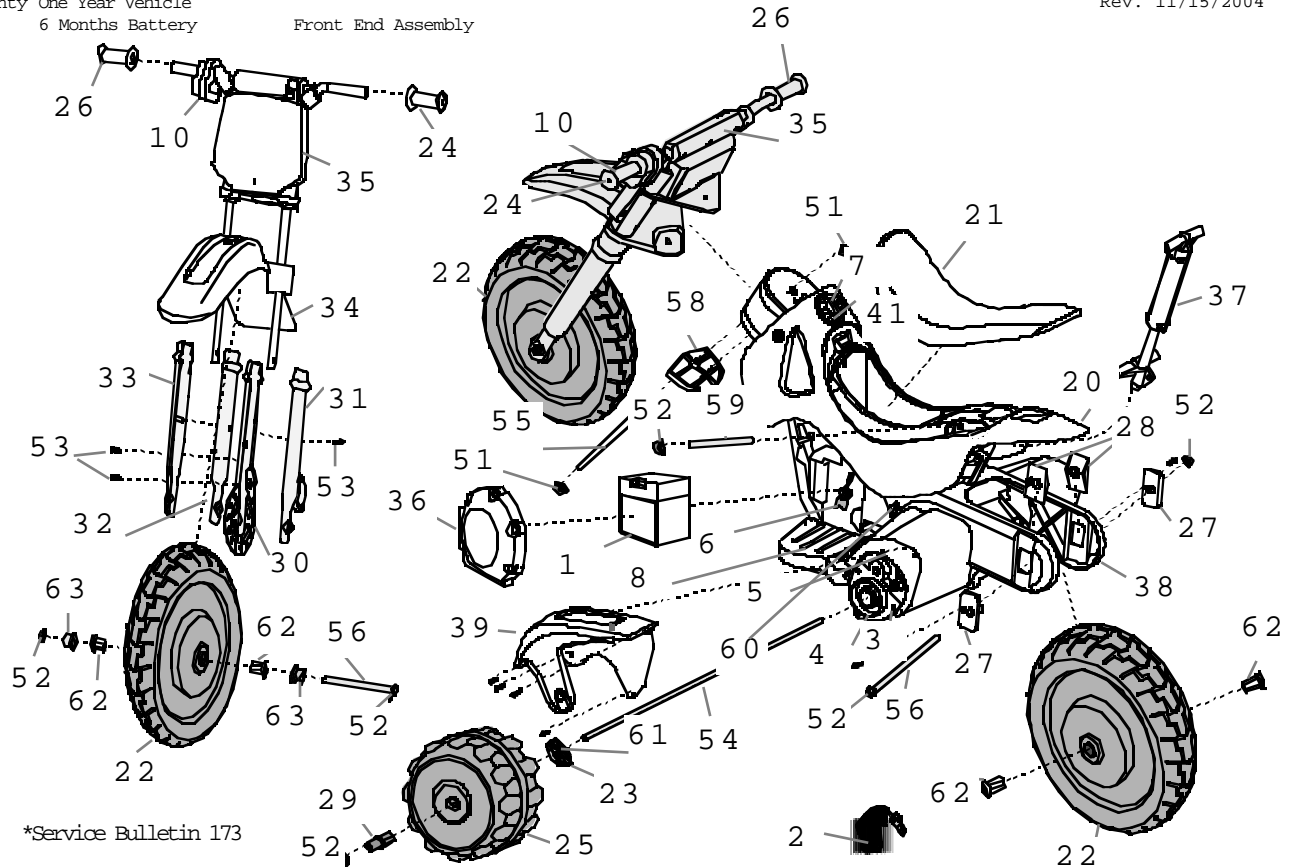
Super Shock Dirtbike Refresh

After 6/24/04

Rev. 11/15/2004

Warranty One Year Vehicle  
 6 Months Battery

Front End Assembly



\*Service Bulletin 173

Item No.	Description	Part No.	Qty. Item	Part	No. Qty.	Description	No.
<b>Working / Electrical Parts</b>							
1	Battery	00801-0638	1				
2	Charger (Fused w/probe)	00801-0972	1				
3	Motor Gearbox Assembly	00968-2901	2				
4	#7 Gearbox W/out Motor	00968-2801	2				
5	Motor Pinion Assembly	74290-9539	2				
6	Main Harness Assembly	3800-6975	1				
7	Control Switch F/R	00801-0885	1				
8	Left Footboard Assm.	3800-6956	1				
10	*Turbo Switch assembly	73600-9719	1				
<b>Plastic/Other Parts</b>							
20	Body N/A	73600-2409	1				
21	Seat	73600-2309	1				
22	*Wheel, Large	74290-2159	2				
23	Driver	73233-2239	2				
24	Hand Grip, Left	74290-2399	1				
25	Wheel, Drive	73600-2269	2				
26	Hand Grip, Right	73600-2839	1				
27	Axle retainer outside	73600-2379	2				
28	Axle retainer inside	73600-2059	2				
29	Hex Bushing with extension	73600-2459	6				
30	Left Inside Shock N/A	73600-2629	1				
31	Left Outside Shock N/A	73600-2639	1				
<b>Hardware / Metal Parts</b>							
51	.354 Retainer Black	0801-0604	3				
52	.437 Cap nut Black	0801-0226	11				
53	Screw #8 x 3/4	0912-8001	14				
54	Drive Axle (L - 32.55 inches)	73600-4509	1				
55	Fork Axle (L - 8 inches)	73600-4559	1				
56	Rear (L - 8.95 inches)/Front Axle (L 8.95 inches)	73600-4549	2				
58	Steering Stop	73600-2659	1				
59	Upper Rod (L - 5 Inches)	73600-4529	1				
60	Lower Rod (L - 8.95 inches)	73600-4519	1				
61	Screw #10 x 1/2	0801-0255	2				
62	Hex Bushing (Small)	73233-2559	4				
63	Round Bushing (Axle)	74550-2689	2				
<b>Parts Not Shown</b>							
	Large Parts Bag					3800-6982	1
	Shock Parts Bag					3800-6960	1
	Hardware Bag					73600-9279	1
	Owner's Manual					73600-0921	1
	Decal Sheet					73600-0310	1
	PC Board					74287-9729	1
	Foot Switch (Plunger Type)					00801-0933	1
	Footboard Cover					73600-2249	1
	Right footboard Assm.					3800-6957	1

N/A = Not Available

Bold and Underlined parts are to be purchased and installed by Service Centers only. These items may not be sold directly to consumers by Service Centers or Fisher-Price.