



74440-9993 Jeep® Wrangler

Advanced Series
12-VOLT

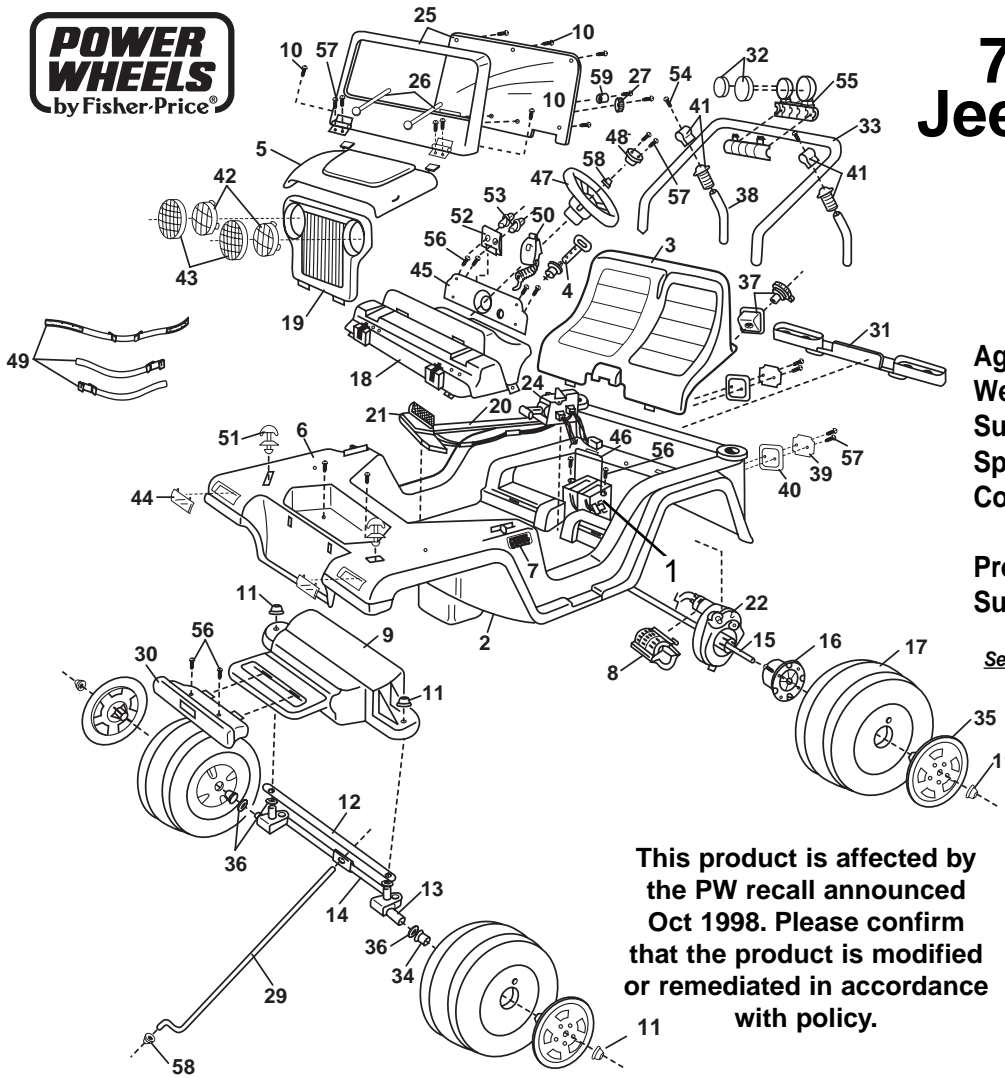
Age Range: 3 - 7 Years
Weight Limit: 130 lbs.
Surfaces: Hard, Grass, Hills
Speed: 2.5 / 5 MPH
Colors: Red Body
Black Trim
Produced 4/96 - 12/12/97
Suggested Retail: \$199.99

Service Merchandise Version: 1-17-98 to 4-4-98
See Service Bulletin 155

Service Bulletin 146
Service Bulletin 148
Service Bulletin 155

This product is affected by the PW recall announced Oct 1998. Please confirm that the product is modified or remediated in accordance with policy.

Rev. 02/05/04



Item No.	Description	Part No.	Qty	Item Part	No. Item	Description	No. Part	Qty.			
1	Battery	00801-0712	2	28	Screw (Actuator) N/A	0801-0216	2	53	Dash Knob	74550-2719	2
2	Body N/A	74440-2109	1	29	Steering Column	78490-4239	1	54	*#6 x 1-1/2" Screw	0801-0221	4
3	*Seat N/A	74440-2319	1	30	Front Bumper N/A	73233-2519	1	55	*KCTM Light Rack	78457-9349	1
4	Key/Housing Assembly	74550-2439	1	31	Rear Bumper N/A	74440-2039	1	56	#8 x 3/4" Screw	0801-0223	8
5	Hood	75598-211A	1	32	*KCTM Light Cover	74460-2169	2	57	*#8 x 1" Screw	0801-0224	10
6	5/16" x 3-1/2" Hex Bolt N/A	0801-0192	2	33	*Sport Bar	74450-9219	1	58	.354 Cap Nut (Black)	0801-0604	3
7	PW Emblem	74460-9069	2	34	Axle Bushing	74550-2689	2	59	Cap N/A	73233-2619	1
8	Motor Cover	74750-2359	2	35	Hubcap	74440-2579	4				
9	Front Module N/A	74440-2119	1	36	7/16" Washer	0801-0196	4				
10	Screw (Frame) #8 x 1/2"	0801-0202	5	37	Gas Cap/Flange Assem N/A	74440-9089	1				
11	.437 Cap Nut (Black)	0801-0226	6	38	Sport Bar Support	74440-4229	2				
12	Cross Bar	74460-4419	1	39	Taillight Lens Set	73233-2279	1				
13	Front Axle	74440-4509	2	40	Taillight Housing Set	73233-2759	1				
14	Axle Linkage Assy.	74440-9419A	1	41	**Sport Bar Bracket/Swivel Set		1				
15	Rear Axle	74440-4519	1		subs to 78490-2179 and 78490-2229		1				
16	Wheel Driver	74460-2249	2	42	*Headlight Lens	74440-2879	2				
17	Wheel	3800-6799	4		(changed from clear to blue 8-3-97)						
18	Dash N/A	74440-2689	1	43	*Headlight Lens Guard	74460-2339	2				
19	Grille N/A	74440-2849	1	44	Turn Signal Lens	74440-2349	2				
20	Channel Cover N/A	74440-2289	1	45	*** Dash Plate N/A	74440-2679	1				
21	Footboard Assembly	74440-9829	1	46	Battery Retainer	74440-4019	1				
22	#7 Gearbox w/Motor	00968-2902	2	47	**Steering Wheel	74440-2379	1				
23	Harness Assembly	74440-9799	1	48	Steering Wheel Button	74550-2729	1				
24	see note below/Shifter Assy (Silver)	74440-9139	1	49	*Seatbelt Set	74460-5339	1				
25	Windshield Assembly N/A	74440-9769	1	50	Mid w/Cord	73233-9479	1				
26	Wiper N/A	73248-2769	2	51	Hood Latch	74440-9559	2				
27	Wiper Knobs N/A	73233-2449	1	52	Knob Bezel	74020-2719	1				

PARTS NOT SHOWN

*Decal Main Sheet	74440-0370	1
Literature Bag (N/A)		
sub to owner's manl N/A	78490-0920	1
#10 x 1" Screw (in dash)	0801-0220	4
Large Parts Bag #1 N/A	74440-9249	1
Large Parts Bag #2	74440-9279	1
12v Charger	00801-0973	1
**Small Parts Bag N/A	74440-9259A	1
Twist-Lock Fastener N/A	0801-0197	2
Lock Fastener	78570-2439	1
Motor W/ Pinion	74440-9579	2
#7 Gearbox w/o Motor (Blk)	00968-2802	2
Fuse 30 Amp N/A	0801-0229	3
Thermal Fuse	0801-0711	1
5/16" Hex Nyloc Nut N/A	0801-0193	2
Use & Care Manual (N/A)	74440-0320B	1
1/4"x1-1/2" Roll Bar Screws N/A	0801-0467	2
Motor Bolts	0801-0269	2

* See Service Bulletin 148
** See Service Bulletin 155
*** See Service Bulletin 146

Note: When ordering the shifter, please also send out (1) lock out screw 0801-0254 and (1) supplemental instructions 78490-0929.

Bold and Underlined parts are to be purchased and installed by Service Centers only. These items may not be sold directly to consumers by Service Centers or Fisher-Price.