

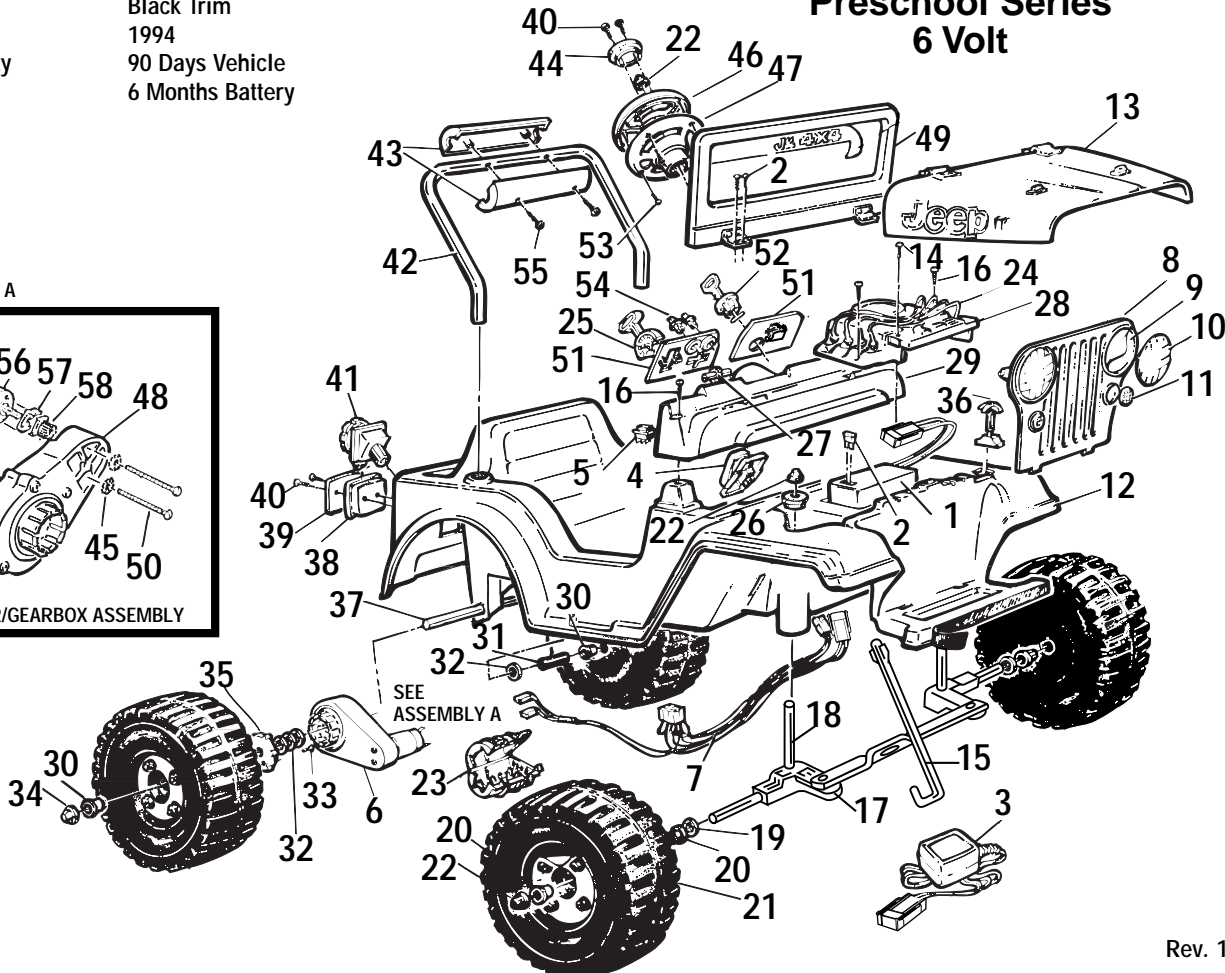
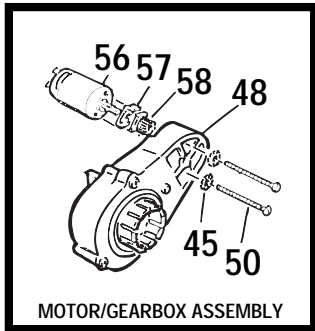
Age Range: 1-1/2 to 6 Years  
 Weight Limit: 50 Lbs.  
 Surfaces: Hard  
 Speed: 2.5 MPH  
 Colors: Yellow Body  
 Black Wheels  
 Black Trim

Intro: 1994  
 Warranty: 90 Days Vehicle  
 6 Months Battery

# 74770-9993 / 84770 Lil Sand Blaster

Preschool Series  
6 Volt

ASSEMBLY A



Rev. 12/03/03

| Item No.   | Description                               | Part No.          | Qty.     | Item No. | Description                  | Part No.         | Qty.     | Item No.                 | Description                           | Part No.   | Qty.       |   |
|--|---|-------------------|----------|----------|------------------------------|------------------|----------|--------------------------|---------------------------------------|------------|------------|---|
| 1  | Battery                                   | 00801-1234        | 1        | 25       | Shift Lever                  | 74550-2229       | 1        | 50                       | Motor Bolts                           | 0801-0269  | 2          |   |
| 2  | 25 Amp Fuse                               | 0801-0151         | 1        | 26       | Front Post Bushing           | 74770-2669       | 2        | 51                       | Dashboard/Busy Box Plate Assembly N/A | 74770-2699 | 1          |   |
| 3  | Charger, 6 Volt                           | 00801-0975        | 1        | 27       | Radio Dial                   | 74771-2719       | 1        | 52                       | Key and Hous Assembly N/A             | 74550-2439 | 1          |   |
| 4  | Footboard Assembly N/A                    | 76803-9159        | 1        | 28       | Pretend Engine N/A           | 74771-2119       | 1        | 53                       | #6 x 1/2" Phillips Screw              | 0801-0222  | 6          |   |
| 5  | Control Switch                            | 00801-0885        | 1        | 29       | Dashboard                    | N/A              | 1        | 54                       | Radio Knob                            | 74550-2719 | 2          |   |
| 6  | 3A Motor Gearbox Assy.                    | 74780-9509        | 1        | 30       | Axle Bushing                 | 74550-2689       | 3        | 55                       | #6 x 1-1/2" Screw                     | 0801-0221  | 2          |   |
| 7  | <b>Main Harness</b>                       | <b>74770-9799</b> | <b>1</b> | 31       | Rear Axle Spacer N/A         | 76136-4419       | 1        | 56                       | Motor Only                            | N/A        | 1          |   |
| 8  | Grill Assembly                            | N/A               | 1        | 32       | 7/16" Washer                 | 0801-0196        | 3        | 57                       | D-Lock Washer                         | 0801-0329  | 1          |   |
| 9  | Headlight Decal Sheet N/A                 | 74760-0320        | 1        | 33       | #10 x 1/2" Phillips Screw    | 0801-0255        | 1        | 58                       | Motor Drive Gear                      | 74550-2269 | 1          |   |
| 10   | Headlight Lens N/A                        | 74770-2279        | 2        | 34       | .437 Cap Nut                 | 0801-0226        | 2        | <b>PARTS NOT SHOWN</b>   |                                       |            |            |   |
| 11   | Turn Signal Lens                          | 74770-2349        | 2        | 35       | Driver                       | 73233-2239       | 1        | Traction Band Set (4)    |                                       |            | 76131-2019 | 1 |
| 12   | Body N/A                                  | N/A               | 1        | 36       | Snap In Hoodlatch            | 78490-9559       | 2        | Radiator Decal Sheet N/A |                                       |            | 74560-6029 | 1 |
| 13   | Hood N/A                                  | N/A               | 1        | 37       | Rear Axle                    | 76135-4509       | 1        | Microphone               |                                       |            | 74770-9489 | 1 |
| 14   | #8 x 1/2" Plascrew N/A                    | 0801-0202         | 5        | 38       | Taillight Housing Set        | 73233-2759       | 1        | Screws For Busy-Box      |                                       |            | 0801-0222  | 2 |
| 15   | Steering Column N/A                       | 76135-4239        | 1        | 39       | Taillight Lens Set           | 73233-2279       | 1        | Axle Supports            |                                       |            | 74770-2369 | 2 |
| 16   | #8 x 3/4" Trusshead Screw                 | 0801-0228         | 4        | 40       | #8 x 1" Plastilock Screw N/A | 0801-0224        | 6        | Foam Plugs N/A           |                                       |            | 76135-2199 | 2 |
| 17   | Steering Linkage                          | 76181-4229        | 1        | 41       | Gas Cap and Flange N/A       | 73233-9249       | 1        | Literature Bag N/A       |                                       |            | 74770-9019 | 1 |
| 18   | Front Axle                                | 73241-4509        | 2        | 42       | Roll-Bar                     | 76135-4219       | 1        | Harness Fastener N/A     |                                       |            | 0801-0311  | 1 |
| 19   | 5/16" Washer                              | 0801-0253         | 2        | 43       | Roll-Bar Cover Set N/A       | 74770-2179       | 1        | Decal Sheet N/A          |                                       |            | 74779-0330 | 1 |
| 20   | Round Bushing                             | 74770-2539        | 4        | 44       | Steering Wheel Cap           | 74550-2729       | 1        |                          |                                       |            |            |   |
| 21   | Wheel                                     | 76133-2459        | 4        | 45       | <b>Star Washer N/A</b>       | <b>0801-0330</b> | <b>2</b> |                          |                                       |            |            |   |
| 22   | .354 Cap Nut                              | 0801-0604         | 5        | 46       | Steering Wheel Cover N/A     | 76133-2339       | 1        |                          |                                       |            |            |   |
| 23   | Motor Cover (original N/A see note below) |                   | 1        | 47       | Steering Wheel Base N/A      | 74779-2129       | 1        |                          |                                       |            |            |   |
| send motor cover 74750-2359 and (2) 0801-0273 Screws |   |                   |          | 48       | <b>Gearbox Only N/A</b>      | <b>N/A</b>       | <b>1</b> |                          |                                       |            |            |   |
| 24   | Pretend Engine Plug Wires                 | 78480-2129        | 1        | 49       | Windshield Assembly N/A      | N/A              | 1        |                          |                                       |            |            |   |

N/A = Not Available

**Bold and Underlined parts are to be purchased and installed by Service Centers only. These items may not be sold directly to consumers by Service Centers or Fisher-Price.**

