

Age Range: 1-1/2 to 6 Yrs.
 Weight Limit: 50 Lbs.
 Surfaces: Hard
 Speed: 2.5 MPH
 Colors: White Body
 Intro: 1988
 Warranty: 90 Days Vehicle
 6 Months Battery

76108-9993 / 84500

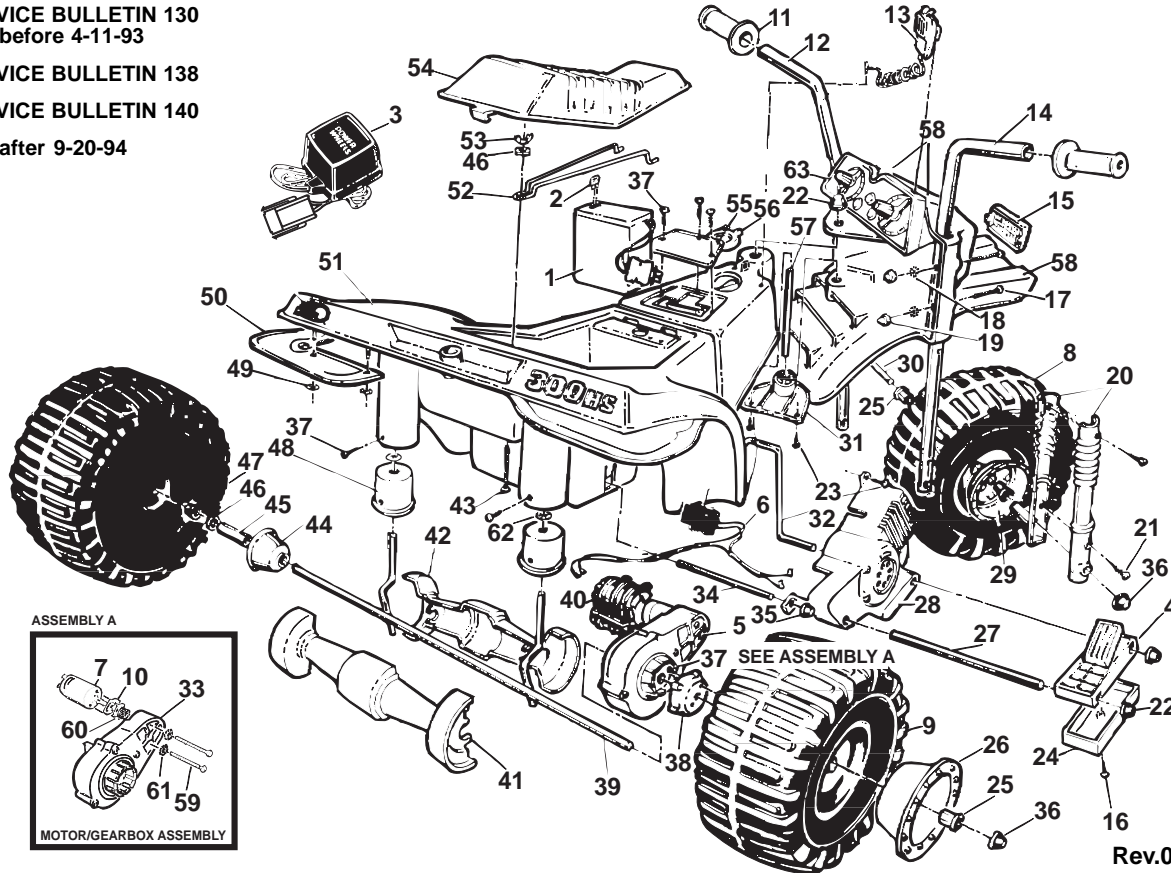
300HS

Type H 6 Volt

SERVICE BULLETIN 130
before 4-11-93

SERVICE BULLETIN 138

SERVICE BULLETIN 140
after 9-20-94



Rev.09/11/03

Item No.	Description	Part No.	Qty.	Item No.	Description	Part No.	Qty.	Item No.	Description	Part No.	Qty.
1	**Battery 6-Volt	00801-1234	1	26	Rear Hubcap	74590-2579	2	50	Mud Flap (Set) N/A	74590-2219	1
2	25 amp Fuse	0801-0151	1	27	Support Rod (Rear Foot Rest) (N/A)	76108-4439	1	51	Body (N/A)	80005-0317	1
3	**6-Volt Charger	00801-0975	1	28	Right False Motor (N/A)	21.112	1	52	Battery Retainer N/A	76112-4419	1
4	Footswitch Assy.	76108-9159	1	29	Front Hubcap	73233-2579	2	53	Wing Nut N/A	0801-0317	1
5	Motor/Gearbox Assy N/A	74510-9519	1	30	*Front Axle (original N/A) N/A	80025-0006	1	54	Seat (Subs to yellow) N/A	76115-2819	1
6	**Wiring Harness N/A	76112-9799	1	31	Flex Plate (old & new N/A) N/A	80001-0478	1	55	Cover Panel N/A	80001-0472	1
7	Motor 6-Volt N/A	74510-0640	1	32	False Motor Support N/A	80021-0074	1	56	Gas Cap Subs to white N/A	76125-2249	1
8	Front Wheel N/A	76266-2459	1	33	Gearbox	74580-9269	1	57	Pivot Pin N/A	76108-4429	1
9	Rear Wheel N/A	76188-2459	2	34	Support Rod (Rear Motor) (N/A)	76108-2129	1	58	*Fender/Inst. Case Assy (original N/A) N/A	80001-0223	1
10	D Lock Washer	0801-0329	1	35	Retainer .250 N/A	0801-0322	2	59	Motor Bolts	0801-0269	2
11	Handgrip N/A	80028-0030	2	36	.437 Cap Nut	0801-0226	4	60	Motor Drive Gear (N/A)	80026-0105	1
12	*Left Handlebar	N/A	1	37	#10 x 1/2" Screw	0801-0255	6	61	Star Washers N/A	0801-0196	2
13	Microphone/Cord Assy.	73233-9479	1	38	Driver	73233-2239	1	62	Retain 354 w/o Body N/A	0801-0252	2
14	*Right Handlebar	N/A	1	39	*Rear Axle (original N/A)	80046-0169	1	63	Instrument Case Cover (N/A)	80001-0502	1
15	Headlight Lens N/A	76112-2129	1	40	Motor Cover	74750-2359	1	PARTS NOT SHOWN			
16	#8 x 7/8" Plascrow N/A	0801-0268	1	41	Axle Cover (Outside) N/A	80046-0138	1	1 x 2 Clip (N/A)	80001-0096	2	
17	1-1/4" 10-32 Screw N/A	76125-4459	4	42	Axle Cover (Inside) N/A	80046-0133	1	Left False Motor (N/A)	80021-0062	1	
18	Star Washer N/A	76108-4419	4	43	Carriage Bolt N/A (Order Hardware Bag)	0801-0305	1	Left Footrest N/A	76108-2179	1	
19	Acorn Nut N/A	0801-0218	4	44	Hubcap w/o Shoulder N/A	78475-9259A	1	Decal Sheet (N/A)	80017-0404	1	
20	*Shock Set N/A	80001-0499	2	45	*Spacer N/A	76112-2139	1	Literature Bag (N/A)			
21	Plascrow 3/4"	0801-0223	4	46	Washer	0801-0196	2	76108-9019			
22	.354 Cap Nut	0801-0604	6	47	Wheel Bushing	74550-2689	1				
23	Plascrow 1/2"	0801-0202	5	48	Axle Bushing (N/A)	80009-0085	2				
24	Bott Cover Footboard) N/A	76108-2169	1	49	Retainer w/o Body N/A	78480-2249	8				
25	Hex Bushing	73233-2559	4								

*See Service Bulletins 130 & 140 ** Service Bulletin 138

Bold and Underlined parts are to be purchased and installed by Service Centers only. These items may not be sold directly to consumers by Service Centers or Fisher-Price.

