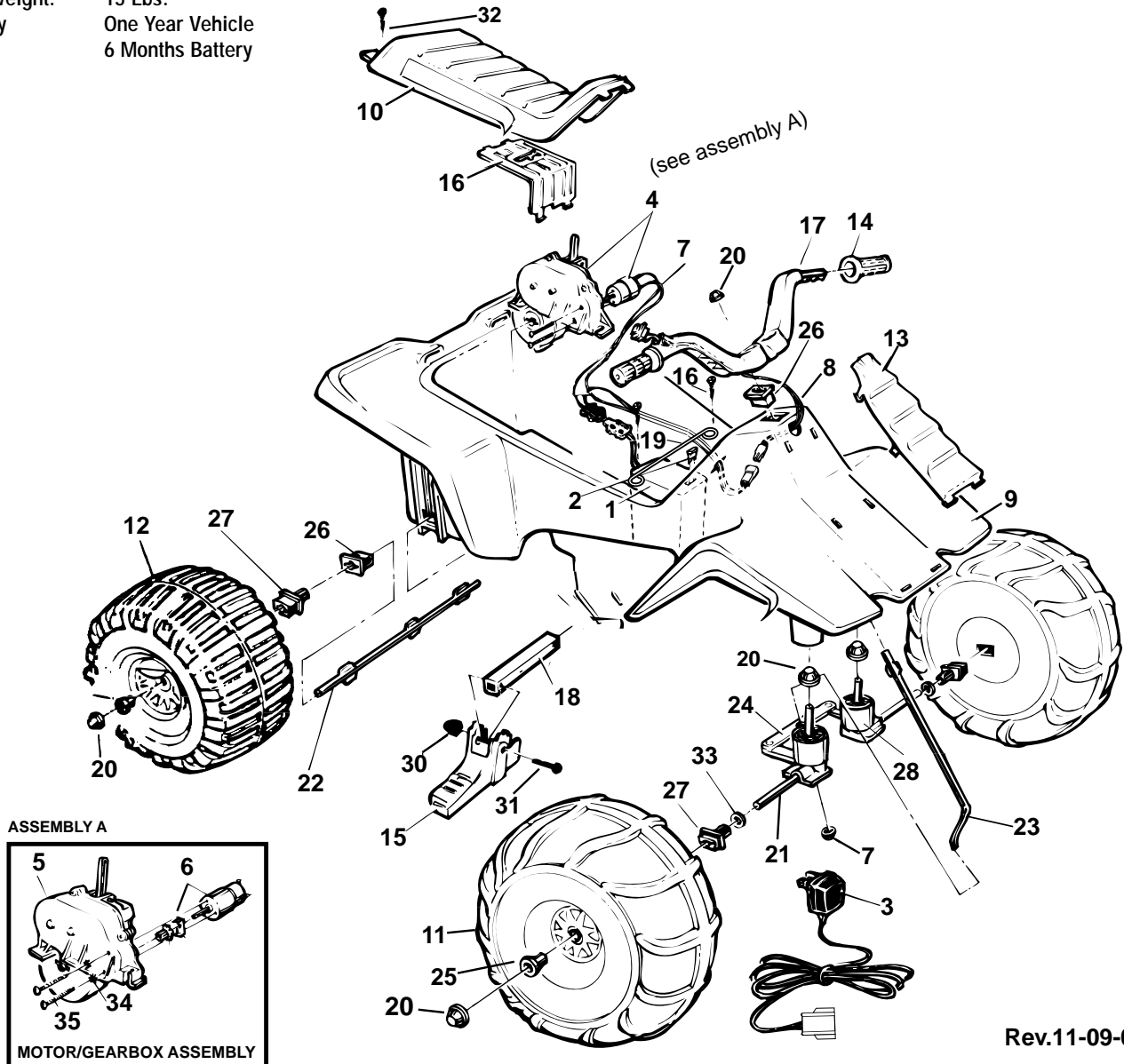


Age Range: 1-3 Yrs.
 Weight Limit: 40 Lbs.
 Surfaces: Hard & Grass
 Speed: 1 MPH
 Colors: Yellow Body with Dark Blue Seat
 Intro: 6-3-99
 Suggested Retail: Free w/purchase of another PW product
 Box Dimensions: 27" 17.25" x 13.125"
 In Box Weight: 15 Lbs.
 Warranty: One Year Vehicle
 6 Months Battery

76937-9993

Lil Kawasaki Premium

Toddler Series
 6 Volt / 4 Amp Hr.



Rev.11-09-01 Pav

| Item No. | Description | Part No. | Qty. | Item No. | Description | Part No. | Qty. | Item No. | Description | Part No. | Qty. |
|-----------------------------------|---------------------------|-------------------|------|-------------------------------|---------------------------|-------------|------|------------------------|-------------|-----------|------|
| Working / Electrical Parts | | | | 17 | Handlebar | 76990-2139A | 1 | 34 | Star Washer | 0801-0330 | 2 |
| 1 | Battery 6 Volt / 4 Amp | 0801-0336 | 1 | 18 | Footpeg Support Tube | 76940-2179 | 1 | 35 | Motor Bolt | 0801-0269 | 2 |
| 2 | 25 Amp Fuse | 0801-0151 | 1 | Hardware / Metal Parts | | | | Parts Not Shown | | | |
| 3 | 6 Volt / 4 Amp Charger | 0801-0247 | 1 | 19 | Battery Retainer | 74504-4419 | 1 | Large Parts Bag | 76990-9249 | 1 | |
| 4 | #5 Motor Gearbox Assembly | 74504-9519 | 1 | 20 | .354 Cap Nut | 0801-0548 | 4 | Small Parts Bag | 76990-9259 | 1 | |
| 5 | Gearbox W/out Motor | <u>72629-9259</u> | 1 | 21 | Front Axle | 74504-4509 | 2 | Hardware Bag | 76937-9259A | 1 | |
| 6 | Motor Pinion Assembly | <u>76940-9539</u> | 1 | 22 | Rear Axle | 74504-4539 | 1 | Literature Bag (N/A) | 76937-9019 | 1 | |
| 7 | Main Harness Assembly | <u>73560-9799</u> | 1 | 23 | Steering Column | 76940-4239 | 1 | Owner's Manual | 76937-0920 | 1 | |
| 8 | Handlebar/Switch Assm. | 78560-9799 | 1 | 24 | Steering Linkage | 74504-4219 | 1 | Decal Sheet | 76937-0310 | 1 | |
| Plastic / Other Parts | | | | 25 | Round Bushing | 78560-2679 | 2 | Foam Battery Pocket | 73560-0401 | 1 | |
| 9 | Body (N/A) | 76937-2209 | 1 | 26 | Bushing w/out Extension | 74504-2549 | 1 | | | | |
| 10 | Seat w/Lock Fastener | 76990-231A | 1 | 27 | Bushing w/long Extension | 78560-2659 | 2 | | | | |
| 11 | Front Wheel | 73237-2469 | 2 | 28 | Front Post Bushing | 76990-2129 | 2 | | | | |
| 12 | Rear Wheel | 73237-2459 | 2 | 29 | #8 x 7/8" Trusshead Screw | 0801-0228 | 2 | | | | |
| 13 | Grille | 76990-2149 | 1 | 30 | Acorn Nut | 0801-0218 | 2 | | | | |
| 14 | Handgrip | 76940-2159 | 2 | 31 | 1-1/4" Shoulder Bolt | 0801-0304 | 2 | | | | |
| 15 | Footpeg | 76990-2169 | 2 | 32 | Seat Lock Fastener | 78570-2439 | 1 | | | | |
| 16 | Motor Cover w/decals | 73560-9489 | 1 | 33 | 5/16" Washer | 0801-0253 | 2 | | | | |

N/A = Not Available

Bold and underlined parts are for Service Center orders only

