

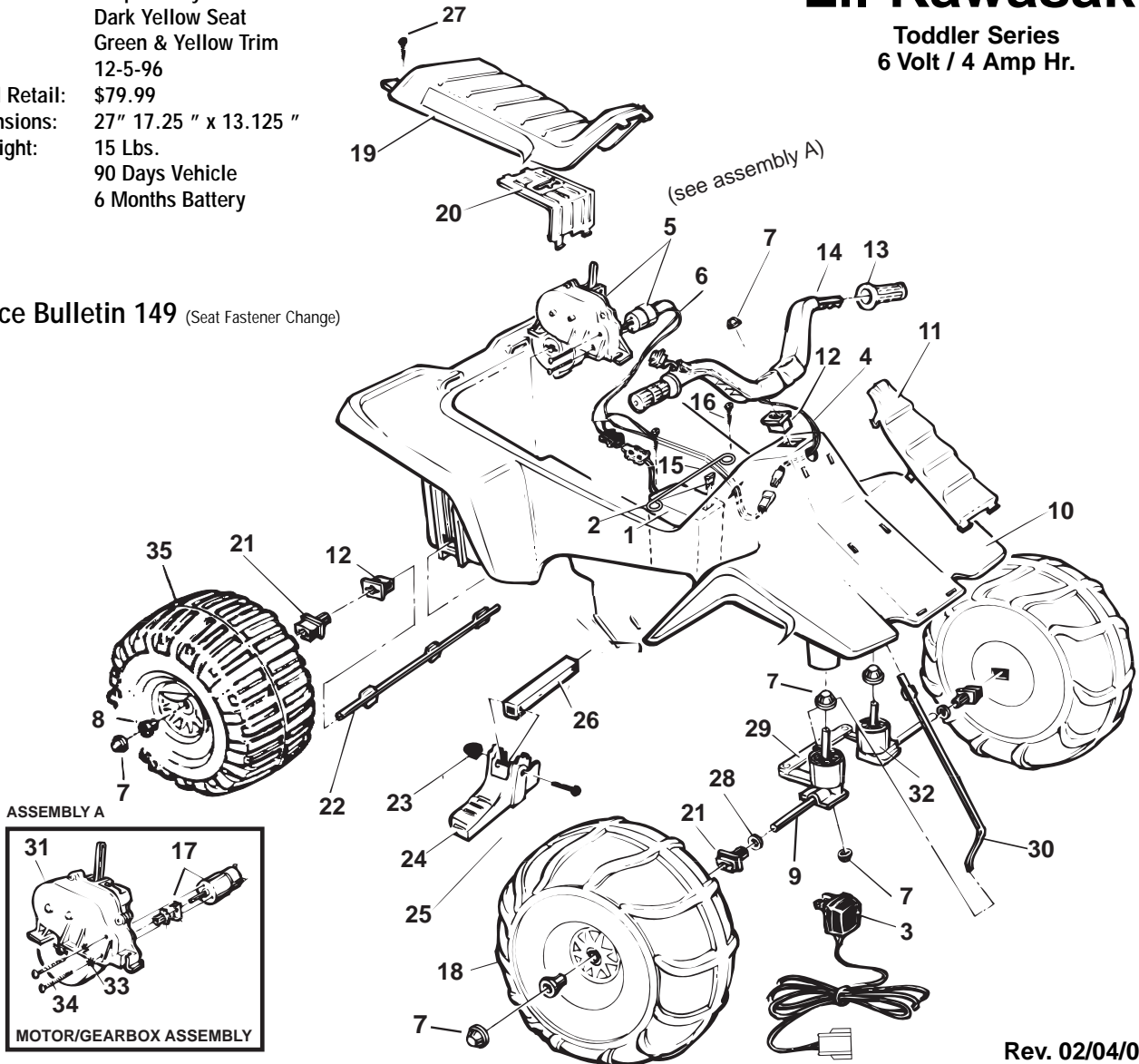
Age Range: 1-3 Yrs.  
 Weight Limit: 40 Lbs.  
 Surfaces: Hard & Grass  
 Speed: 1 MPH  
 Colors: Purple Body  
 Dark Yellow Seat  
 Green & Yellow Trim

Intro: 12-5-96  
 Suggested Retail: \$79.99  
 Box Dimensions: 27" 17.25" x 13.125"  
 In Box Weight: 15 Lbs.  
 Warranty: 90 Days Vehicle  
 6 Months Battery

# 76940-9993 Lil Kawasaki

Toddler Series  
6 Volt / 4 Amp Hr.

## Service Bulletin 149 (Seat Fastener Change)



Rev. 02/04/04

Item #	Description	Part #	Qty.	Item #	Description	Part #	Qty.	Item #	Description	Part #	Qty.
1	Battery 6 Volt/4Amp	0801-0336	1	16	#8 x 7/8" Trusshead Screw	0801-0228	2	30	Steering Column	76940-4239	1
2	25 Amp Fuse	0801-0151	1	17	<u>Motor w/Pinion N/A</u>	<u>72629-9539</u>	1	31	<u>Gearbox w/Out Motor</u>	<u>72629-9259</u>	1
3	6 Volt / 4 Amp Charger	00801-0976	1	18	Front Wheel N/A	73237-2469	2	32	Front Post Bushing N/A	76940-2129	2
4	Switch Assembly	78560-9799	1	19	*Seat N/A	76940-2309	1	33	<u>Star Washer N/A</u>	<u>0801-0330</u>	2
5	#5 Motor Gearbox Assy	74504-9519	1	20	Motor Cover	73560-9489	1	34	<u>Motor Bolt</u>	<u>0801-0269</u>	2
6	<u>Main Harness</u>	<u>73560-9799</u>	1	21	Bushing w/Long Extension	78560-2659	4	35	Rear Wheel N/A	73237-2459	2
7	.354 Cap Nut	**0801-0548	8	22	Rear Axle	74504-4539	1	<b>PARTS NOT SHOWN</b>			
8	Round Bushing	78560-2679	4	23	Acorn Nut N/A	0801-0218	2		Label Sheet N/A	76940-0310	1
9	Front Axle	74504-4509	2	24	Footpeg N/A	76940-2169	2		Large Parts Bag N/A	76940-9249	1
10	Body (N/A)	76940-2109	1	25	1-1/4" Shoulder Bolt	0801-0304	2		Small Parts Bag	76940-9259C	1
11	Grille N/A	76940-2149	1	26	Footpeg Support	76940-2179	1		Literature Bag N/A	76940-9019	1
12	Bushing w/out Extension	74504-2549	3	27	#10 x 1/2" bolt (N/A)	*0801-0271	1		Owner's Manual (N/A)	76940-0920	1
13	Handgrip N/A	76940-2159	2	N/A separately, order SPB 76940-9259 (See SB149)					Foam Battery Pocket	73560-0401	1
14	Handlebar N/A	76940-2139	1	28	5/16" Washer	0801-0253	4				
15	Battery Retainer	74504-4429	1	29	Steering Linkage	74504-4219	1				

\* See Service Bulletin 149 N/A = Not Available \*\* Use Cap Nut 0801-0548 When 0801-0251 Is Gone

**Bold and Underlined parts are to be purchased and installed by Service Centers only. These items may not be sold directly to consumers by Service Centers or Fisher-Price.**

