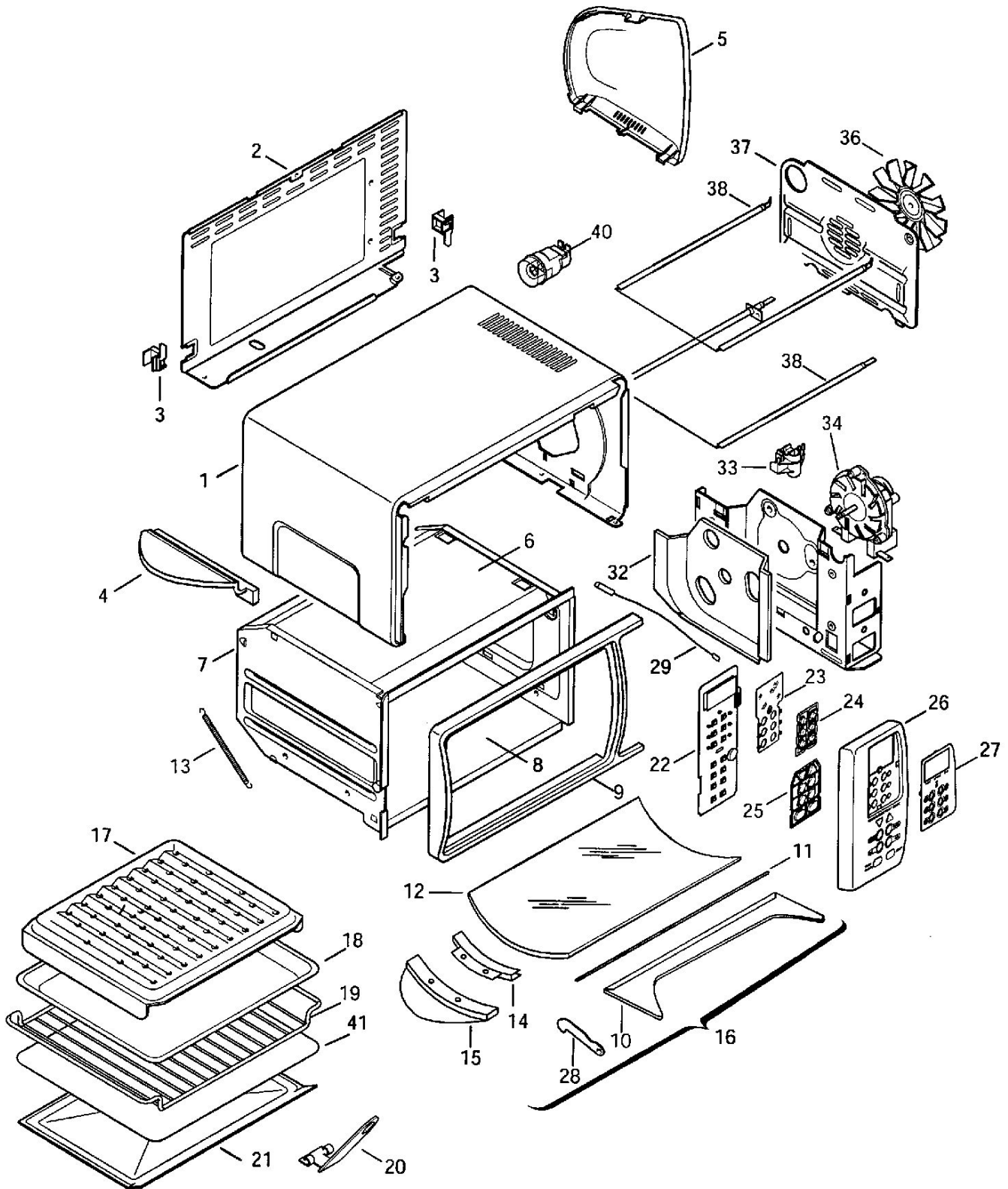




0118950000

DE' LONGHI "US/CA" AD699

CHROME



**SERVICE**

Pos	Codice	Italiano	English	Francais	Deutsch	Espanol
001	<b>7018106400</b>	MANTELLO	HOUSING	ENVELOPPE	GEHAEUSE	Chasis Envolvente
002	<b>690523</b>	SCHIENALE	REAR PANEL	PANNEAU ARRIERE	RUECKWAND	RESPALDO
003	<b>531646</b>	DISTANZIALE	SPACER	ENTRETOISE	DISTANZSTUECK	DISTANCIADOR
004	<b>5518106200</b>	PIEDINO	FOOT	PIED	FUSS	PIE
005	<b>5518106300</b>	CHIUSURA	CLOSURE	FERMETURE	VERSCHLUSS	CIERRE
006	<b>6918106100</b>	SEPARATORE	SEPARATOR	SEPARATEUR	TRENNER	SEPARADOR
007	<b>7318129200</b>	CAVITA	CAVITY	CAVITE	HOHLRAUM	CAVIDAD
008	<b>690085</b>	FONDO	BOTTOM	FOND	BODEN	FONDO
009	<b>7018106200</b>	CORNICE	FRAME	ENCADREMENT	RAHMEN	MARCO
010	<b>7118100300</b>	SUPPORTO	SUPPORT	SUPPORT	HALTER	SOPORTE
011	<b>6118100000</b>	ASTA	ROD	TIGE	STANGE	BARRA
012	<b>5318101000</b>	VETRO	GLASS	VERRE	GLAS	VIDRIO
013	<b>611228</b>	MOLLA	SPRING	RESSORT	FEDER	MUELLE
014	<b>7018106300</b>	SQUADRETTA	BRACKET	EQUERRE	WINKEL	ESCUADRA
015	<b>5318112600</b>	MANIGLIA	HANDLE	POIGNEE	GRIFF	MANILLA
016	<b>7318129000</b>	PORTA	DOOR	PORTE	TUER	PUERTA
017	<b>690305</b>	LECCARDA	DRIP PAN	LECHEFRITE	FETTPFANNE	GRASERA
018	<b>709304</b>	PIATTO	PLATE	PLAT	TELLER	PLATO
019	<b>611229</b>	GRIGLIA COTT.	WIRE RACK	GRILLE	ROST	PARRILLA
020	<b>702399</b>	IMPUGNATURA	HANDLE	POIGNEE	GRIFF	EMPU ADURA
021	<b>702290</b>	CASSETTO	DRAWER	TIROIR	SCHUBFACH	CAJON
022	<b>5218101200</b>	SCHEDA	BOARD	FICHE	PLATINE	FICHA
023	<b>5318112100</b>	VETRINO	GLASS	VERRE	GLAS	VIDRIO
024	<b>5318112200</b>	TASTIERA	KEYBOARD	CLAVIER	DRUCKKNOPFTAFEL	TECLADO
025	<b>5918114500</b>	TASTIERA	KEYBOARD	CLAVIER	DRUCKKNOPFTAFEL	TECLADO
026	<b>5918114200</b>	CRUSCOTTO	CONTROL PANEL	Tableau deCommande	BEDIENUNGSBLENDE	Marco Panel Mandos
027	<b>5918114300</b>	FRONTALINO	FRONT PIECE	PIECE FRONTALE	VORDERSTUECK	Elemento Delantero
028	<b>7018100600</b>	LEVA	LEVER	LEVIER	HEBEL	PALANCA
029	<b>5518106400</b>	SENSORE	SENSOR	SENSEUR	SENSOR	SENSORE
032	<b>5318113000</b>	ISOLANTE	INSULATOR	ISOLANT	ISOLIERSTOFF	AISLANTE
033	<b>531147</b>	SERRACAPO	WIRE CLAMP	SERRE CABLE	KABELSCHELLE	GRAPA
034	<b>5118103200</b>	MOTORE	MOTOR	MOTEUR	MOTOR	MOTOR
036	<b>606537</b>	VENTOLA	FAN	HELICE	FLUEGELRAD	VENTILADOR
037	<b>7018106500</b>	FIANCO	SIDE	COTE	SEITE	LADO
038	<b>5518107200</b>	KIT RESISTENZE	HEATING ELEMENTS KIT	KIT RESISTANCES	SATZ HEIZELEMENTE	KIT RESISTENCIA
040	<b>511490</b>	PORTALAMPADA	LAMP HOLDER	DOUILLE	LAMPENSOCKEL	PORTALAMPARAS
041	<b>6918105700</b>	BISCOTTIERA	PASTRY TRAY	PLAQUE A PATISSERIE	BACKBLECH	BIZCOCHERA

DE'LONGHI 'US/CA' AD699 CHROME Cod.0118950000