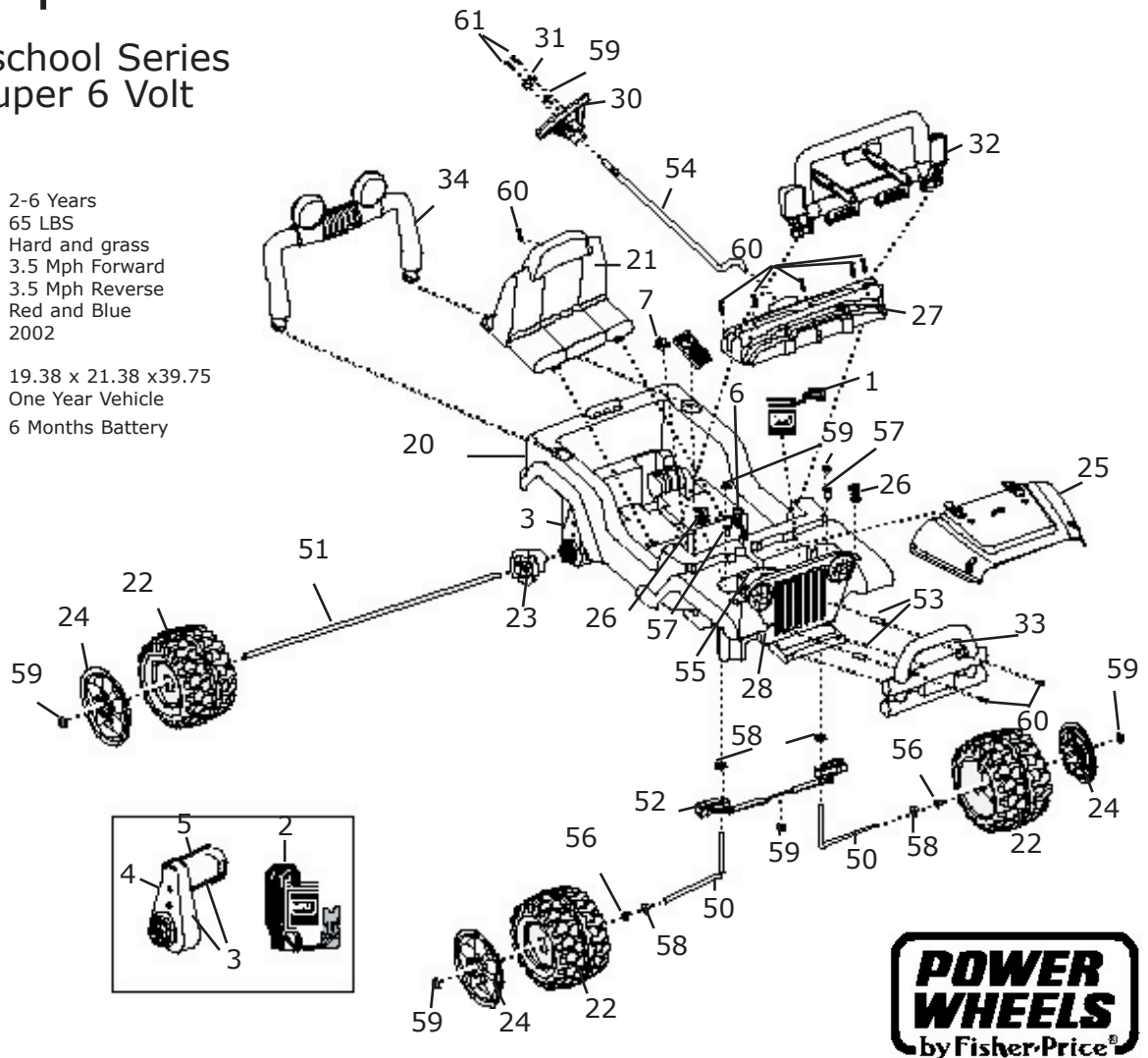


B1501-9993 Jeep TRU

Preschool Series
Super 6 Volt

Age Range: 2-6 Years
 Weight Limit: 65 LBS
 Surfaces: Hard and grass
 Speed: 3.5 Mph Forward
 3.5 Mph Reverse
 Colors: Red and Blue
 Intro: 2002
 Suggested Retail:
 Box Dimensions: 19.38 x 21.38 x 39.75
 Warranty: One Year Vehicle
 6 Months Battery



Rev. 11/25/05

Item No.	Description	Part No.	Qty. Item	Part	No. Qty.	Description	No.
Working / Electrical Parts				Hardware / Metal Parts			
1	Battery	00801-0712	1	50	2	Front Axle	73610-4529
2	Charger	00801-0974	1	51	1	Rear Axle	73610-4519
3	Motor Gearbox Assembly	74180-95192	2	52	1	Steering Linkage Assm.	73610-9419
4	Gearbox W/out Motor	74550-9279	2	53	2	Spacer Brushguard	74460-2069
5	Motor Pinion Assembly	74580-9539	2	54	1	Steering Column	73610-4239
6	Main Harness Assembly	73610-9569	1	55	1	Battery Retainer	75548-9409
Plastic / Other Parts				56	2	Axle Bushing (7/16)	74550-2689
20	Body	N/A		57	2	Bushing Long	73610-2689
21	Seat (black)	73610-2319	1	58	4	Washer 7/16	0801-0196
22	Wheel	74020-2459	4	59	8	Capnut . 437	0801-0226
23	Wheel Driver	74460-2249	2	60	8	10 x 1 screw	0801-0220
24	Hubcap	B1501-2579	4	61	2	8 x 1 screw	0912-8003
25	Hood Assm	3800-6944	1	Parts Not Shown			
26	Hoodlatch	B1501-9559	2	Large Parts Bag	B1501-9249	1	
27	Dash	3800-6945	1	Small Parts Bag	B1501-9420	1	
28	Grill Assm w/Lenses	3800-6780	1	Owners Manual	B1501-0920	1	
30	Steering Wheel	B1501-2379	1	Label Sheet	B1501-0310	1	
31	Steering Wheel Button	B1501-2729	1	Main Label Sheet	B1501-0320	1	
32	Windshield Assm.	B1501-2619	1	F/R Switch	00801-0885	1	
33	Brushguard	B1501-2349	1	Footswitch	00801-0933	1	
34	Sport Bar	B1501-2339	1	J Lock Fastener	78570-2439	1	
				Cap nut tool	78640-2629	1	
				8 x 4 screw	0801-0308	2	
				Footboard Assm.	78490-9829	1	

N/A = Not Available

Bold and Underlined parts are to be purchased and installed by Service Centers only. These items may not be sold directly to consumers by Service Centers or Fisher-Price.