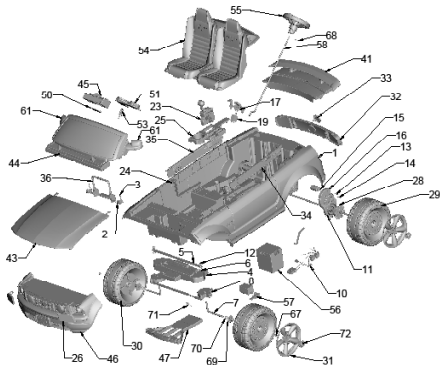


J9562- US/TRU
J9564-CANADA
FORD MUSTANG
12 VOLT ADVANCED SERIES

Age Range:	3-7 Years
Weight Limit:	130 lbs.
Surfaces:	Hard and Grass
Speed:	2.5 MPH Forward/Reverse 5.0 MPH Forward
Colors:	White Body, Black Wheels
Intro:	2006
Suggested Retail:	\$299.99
Box Dimensions:	30.9 X 18.4 X 51.8 96 LBS
Warranty:	One Year Vehicle Six Months Battery



ITEM	PART #	DESCRIPTION	QTY	ITEM	PART #	DESCRIPTION	QTY
1	N/A	BODY	1 EA	35	N/A	RIGHT INSIDE DOOR	1 EA
2	N/A	PIVOT RETAINER	2 EA	36	3800-7809	BATTERY RETAINER	1 EA
3	N/A	SCREW, SELF TAPPING	6 EA	41	J9562-9419	REAR DECK W/ SPOILER	1 EA
4	J9562-2119	FRONT MODULE	1 EA	43	J9562-9459	HOOD ASSY.	1 EA
5	J4390-4009	CROSS BAR	1 EA	44	J9562-9709	WINDSHIELD ASSY.	1 EA
6	0801-0196	7/16 FLAT WASHER	2 EA	45	J4390-9619	SOUNDBOX ASSY.	1 EA
7	J4390-4509	FRONT AXLE	2 EA	46	J9562-9809	FRONT BUMPER W/ LIGHTS	1 EA
8	J4390-9159	STEERING LINKAGE ASSY.	1 EA	47	J9562-2829 N/A	FRONT BUMPER SUPPORT	2 EA
10	J4390-9799	MAIN WIRING HARNESS	1 EA	50	N/A	BATTERY DOOR ASSY	1 EA
11	00968-2801	GEARBOX	2 EA	51	N/A	SOUNDBOX COVER	1 EA
12	0801-0226	.437 CAP NUT	2 EA	53	J4390-2649	SOUNDBOX KEY	1 EA
13	00801-0198	M3-.5 X 32MM NYLOK SCREW	2 EA	54	J4390-8759	SEAT ASSY.	1 EA
14	N/A	M3-.5 X 32 MM SLOT ROUND SCREW	1 EA	55	J4390-9769	STEERING WHEEL ASSY.	1 EA
15	00968-2707	MOTOR PINION	2 EA	56	00801-0638	12V BATTERY	1 EA
16	00968-2918	MTGBX ASSY.	2 EA	57	00801-0972	12V PROBE CHARGER	1 EA
17	J9562-9309	FOOTBOARD ASSY	1 EA	58	J4390-4409	STEERING COLUMN	1 EA
19	00801-0923	SWITCH-ROCKER	1 EA	61	3800-8227	RIGHT/LEFT MIRROR	1 EA
23	J4390-9209	SHIFTER ASSY.	1 EA			HOUSING/COVERS	1 EA
24	J9561-2259	WIRE COVER	1 EA	67	00905-0116	3/8"-16 LOCK NUT	2 EA
25	J4390-2469	CENTER CONSOLE	1 EA	68	00801-1565	5/32-X 1 1/2 PIN	2 EA
26	N/A	HEADLIGHT COVER	2 EA	69	B9785-2229	BUSHING	2 EA
28	J4390-2269	DRIVER	2 EA	70	0801-0196	WASHER	2 EA
29	J4390-2279	LEFT WHEEL (rear uses .437 cap nut)	2 EA	71	00801-1620	FASTENER CAP	1 EA
30	J4390-2289	RIGHT WHEEL (rear uses .437 cap nut)	2 EA	72	J4390-2329	HUBCAP	4 EA
31	J9561-2319	WHEEL COVER	4 EA				
32	3800-8228	TAILLIGHT ASSY.	2 EA				
33	J4390-6409	GAS CAP	1 EA				
34	N/A	LEFT INSIDE DOOR	1 EA				

PARTS NOT SHOWN

J4390-4519	REAR AXLE	1
J4390-9259	PARTS BAG	1
J4390-9269	HARDWARE BAG	1
J4390-2479	EXHAUST PIPE RIGHT	1
J4390-2909	EXHAUST PIPE LEFT	1
74440-5349	SEATBELT SET	1
00801-1567	ASSEMBLY TOOL (WRENCH)	1

PARTS NOT SHOWN

N/A	DRIVING LIGHTS	2
J9562-0310	MAIN DECAL	1
J4390-0320	MYLAR DECAL	1
J4390-0920	MANUAL	1
00801-0933	FOOTSWITCH	1
J4394-9059	BATTERY LIFE INDICATOR	1
00801-1518	PW EMBLEM	1

Bold and underlined parts are to be purchased and installed by Service Centers only. These items may not be sold directly to consumers by Service Centers or Fisher-Price.

4/19/2007